

INLIGHT[©]

INS INL 37211 - A

Please take time to read this leaflet carefully and retain it for future reference.

Safety First!

Light fittings should be connected to a 5 amp fused circuit.

This light fitting is suitable for indoor use only. It should not be fitted to newly painted or plastered surfaces as this may cause discolouration of the finish.

Important!

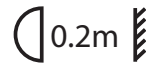
This light fitting is double insulated and must not be earthed.

Do not attach any part of it to an earth wire or terminal.

There must be at least 150mm Air Gap behind the mounting surface.

The minimum distance between the lamp and illuminated objects should be 0.2m.

If in doubt, consult a qualified electrician.



Warning!

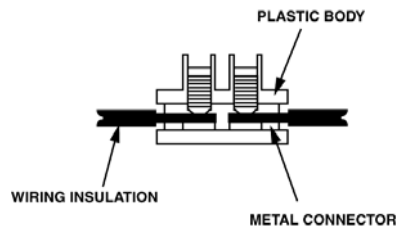
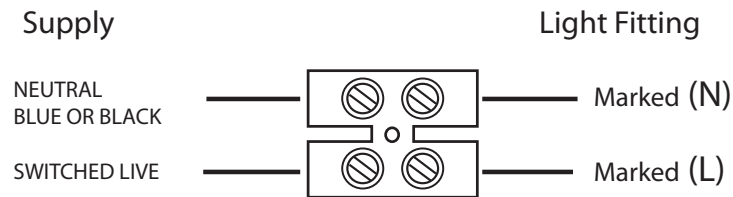
Before commencing installation, isolate the circuit to be used by removing the fuse or circuit breaker at the consumer distribution unit.

Locating the fitting

Determine the desired position of each downlight. Cut circular a circular hole 135mm in diameter at the required position ensuring there are no hidden pipes or electrical cables behind the mounting surface. Take care no to exceed the cutout diameter.

Connecting the fitting

Using the connector block supplied, connect the wires in the following way:



Check that.....

You have correctly identified the house wires, the connections are tight and no loose strands have been left out of the connection block.

Once connected - close the terminals in the double insulated terminal cover.

Selecting the correct lightbulb

Maximum wattage - 7 Watts.

Lightbulb shape - LED reflector.

Lightbulb cap shape - GU10.



Do not exceed the maximum wattage or use a different shape of lightbulb. This may cause your light fitting to overheat.

Switch on!

You may now switch the electricity back on. We are sure you will be pleased with your new light fitting and that it will give you many years of trouble-free enjoyment.

Cleaning care

We recommend cleaning with a soft dry cloth. Don't use abrasive materials as these will rub away the protective coating.

Safety information

For your safety, please remember the following:

Always switch off the supply before changing lightbulbs or cleaning.

Helpline

If you receive this item with parts broken or missing, please telephone: 0333 0050077 Please have ready your name, address, tel. no., product reference, where purchased and parts required. An answering service is in operation outside office hours and during busy periods. We regret that we are unable to give advice on internal house wiring.

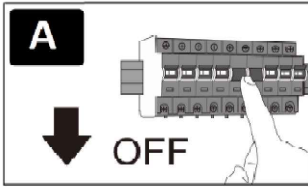
Cascade Holdings Ltd, Gorse Mill, Gorse Street, Chadderton, Oldham. OL9 9RJ

EU Authorised Representative: Authorised Rep Compliance,

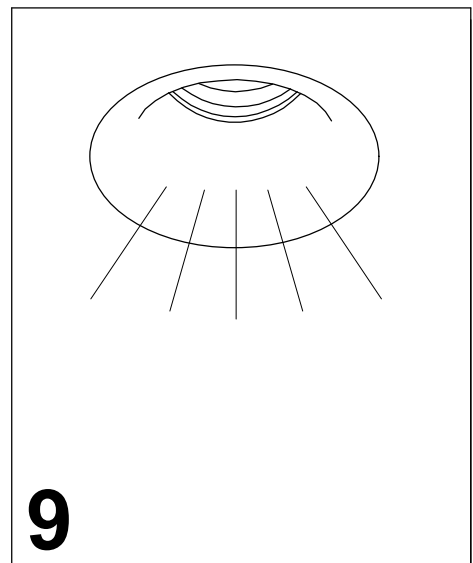
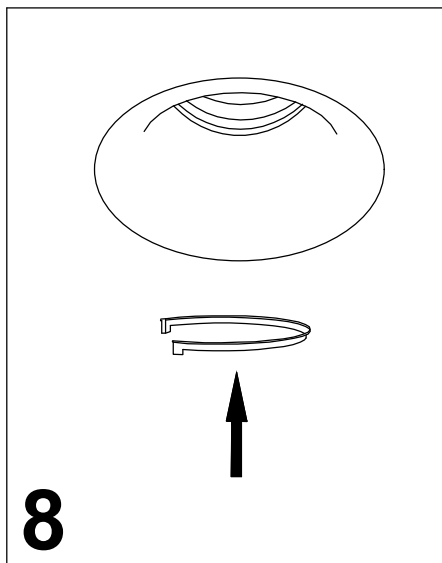
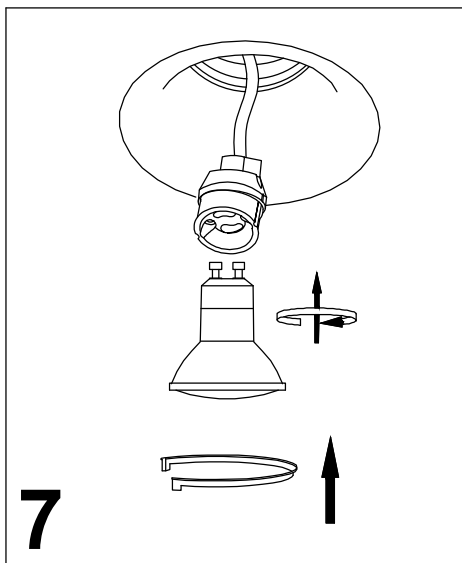
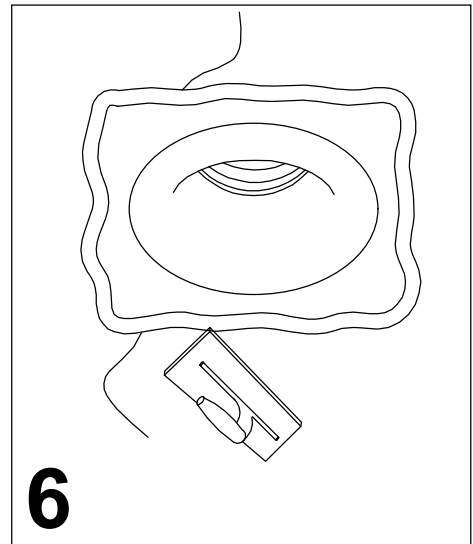
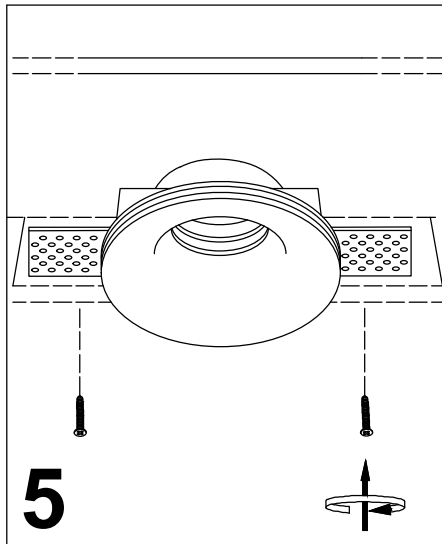
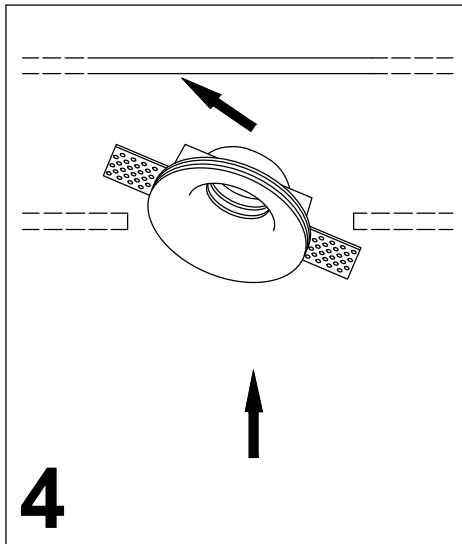
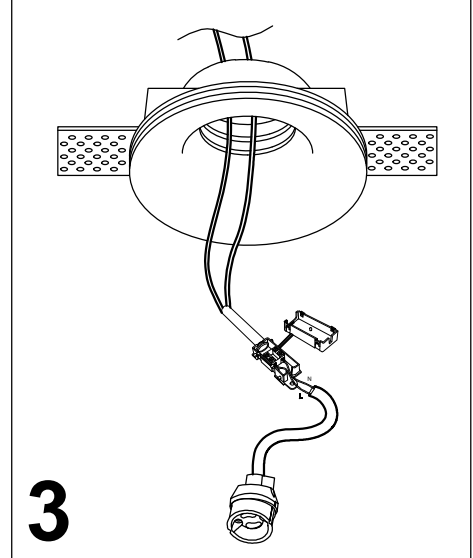
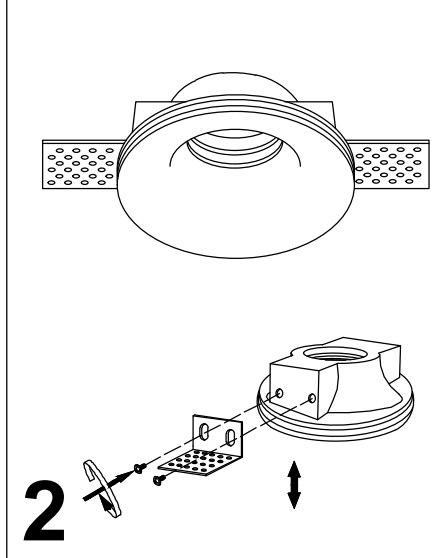
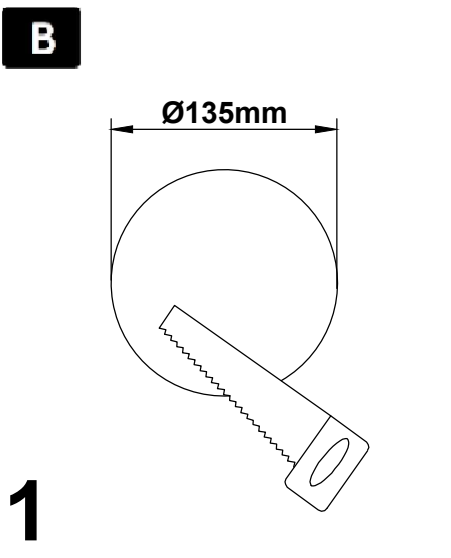
Ground Floor, 71 Lower Baggot Street, Dublin, Ireland,


D02P593.





NOT SUITABLE
FOR MOUNTING
ON A NORMALLY
FLAMMABLE
SURFACE



 This product should be disposed of responsibly at the end of its life. Please recycle where facilities exist. Check with your Local Authority or retailer for recycling advice (Waste Electrical and Electronic Equipment Directive)

